

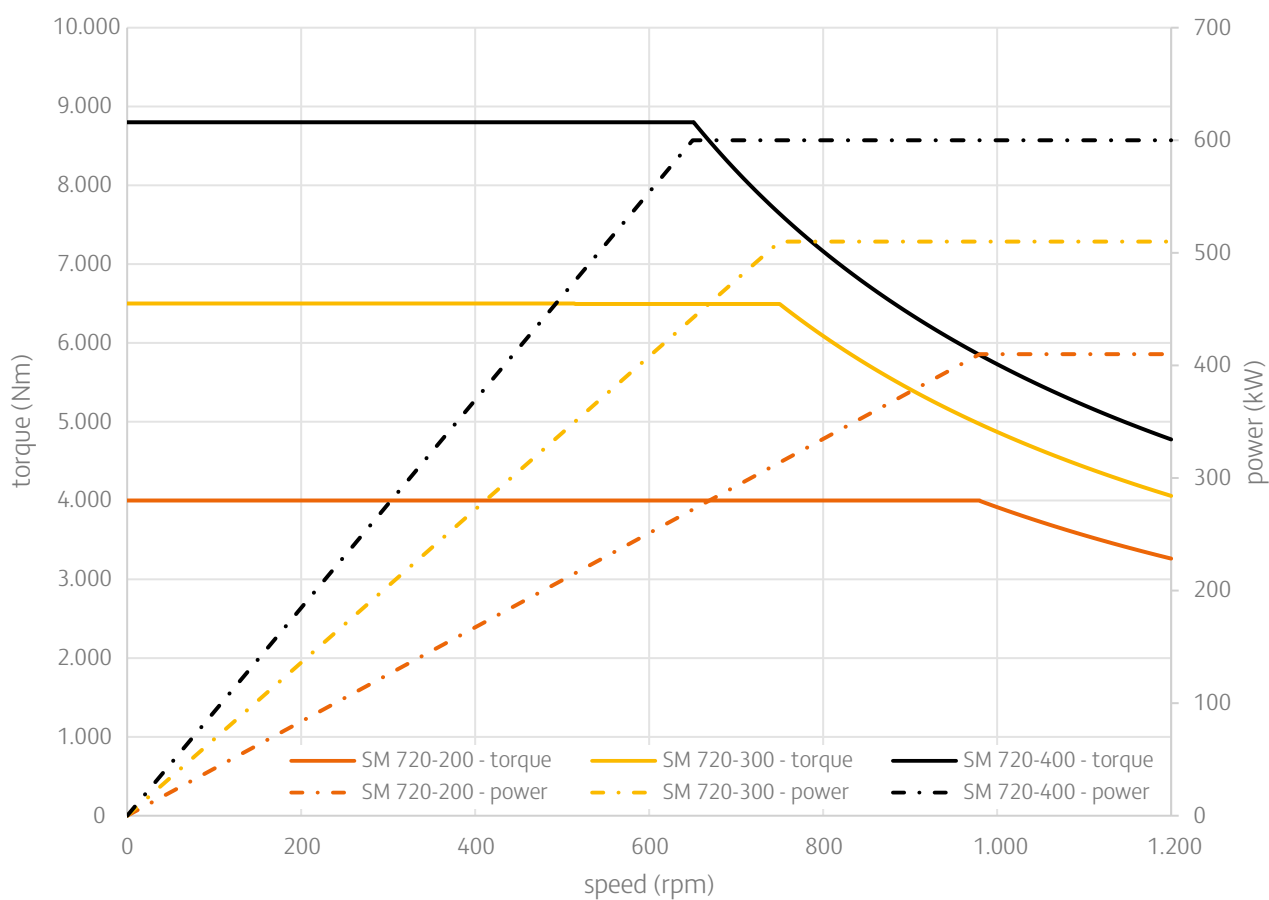
Synchronous Motor **SM-720**

// Values for continous Mode (S1)

Size	nominal Torque (Nm)	nominal Power (kW)	nominal Speed (rpm)	max. Speed (rpm)	nom. Current* (Aeff)
-200	4.000	410	980	1.200	530
-300	6.500	510	750	1.200	665
-400	8.800	600	650	1.200	800

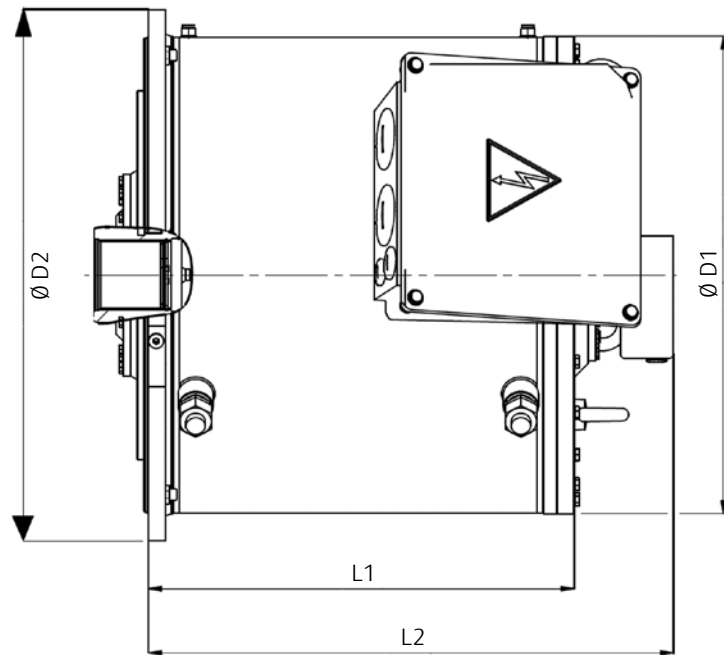
*@500Veff

// SM 720 - torque line



Synchronous Motor **SM-720**

Motor-Diameter D1	775 mm
Flange-Diameter D2	835 mm
Motor-Length L1	-size + 200 mm
Motor-Length L2	-size + 310 mm
Active-Length	-size mm
Stator-Lamination Ø	720 mm



Technical data

- synchronous reluctance assisted permanent magnet motor
- designed for inverter operation
- ambient temperatures -20 °C - +50 °C
- vibration quantity: A
- shock < 5 g, vibration < 1 g
- IP65
- insulation class F* 175 °C
- water cooled
- short time torque up to 200 % of nominal torque
- customized winding design for optimized power/torque performance

Optional equipment

- feedback System: Encoder or Resolver
- holding brake
- hollow shaft
- shaft grounding
- insulated bearings
- standstill heating
- customized mechanical and electrical interface

All information is given to the best of our knowledge. This does not constitute a guarantee of properties. Our liability shall be determined in accordance with the individual contractual provisions or our general terms and conditions.



ZOLLERN GmbH & Co. KG

Heustrasse 1
88518 Herbertingen
Germany
T +49 7586 959 482
F +49 7586 959 82482
ztd@zollern.com
www.zollern.com